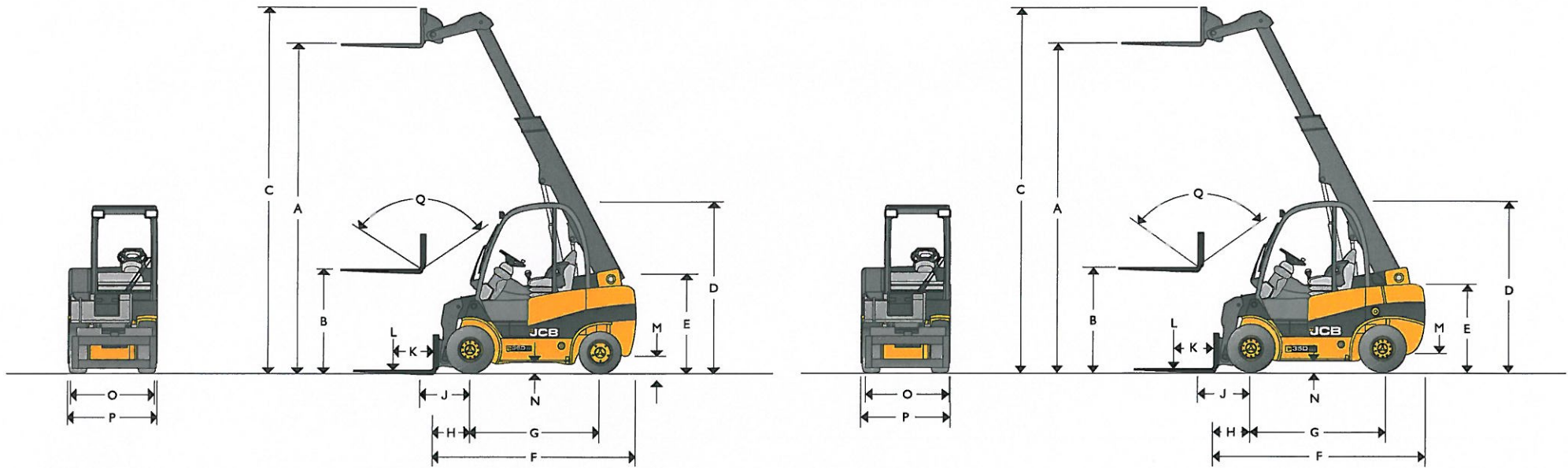


STATIC DIMENSIONS

TLT25 / TLT25HL / TLT30 / TLT30HL / TLT35
ENGINE FUEL TYPE: DIESEL OR LPG LIFT CAPACITY: UP TO 3.5 TONNES

TLT30D 4X4 / TLT35D 4X4
ENGINE FUEL TYPE: DIESEL LIFT CAPACITY: UP TO 3.5 TONNES



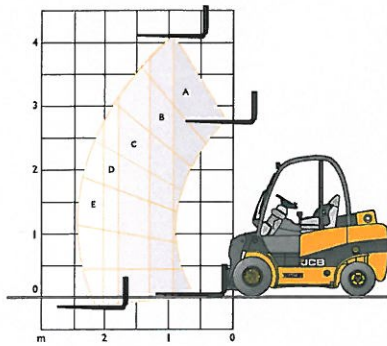
STATIC DIMENSIONS

Model		TLT25/25HL	TLT30	TLT30DHL	TLT30D 4X4	TLT35D	TLT35D 4X4
A	Lift height	mm	4000	4000	5150	4000	4350
B	Free lift (standard)	mm	1424	1410	1410	1350	1350
C	Height (boom extended)	mm	4580	4625	5700	4805	5150
D	Height of overhead guard (standard/low)	mm	2190/2090	2205/2105	2205/2105	2300/2200	2205/2105
E	Height of operators seat (high/low)	mm	1086/1066	1091/1071	1200/1180	1241/1221	1200/1180
F	Length to fork face	mm	2625	2750	3370	2840	3000
G	Wheelbase	mm	1700	1700	1950	1780	1950
H	Distance from c/l of front axle to fork face	mm	500	515	790	515	595
J	Distance from c/l of front axle to fork face (full height)	mm	700	715	540	715	795
K	Load centre	mm	500	500	500	500	500
L	Lift capacities (with sideshift)	kg	2500	3000	3000	3000	3500
M	Ground clearance (lowest point)	mm	115	130	125	165	125
N	Ground clearance (wheelbase centre)	mm	140	155	155	192	155
O	Fork carriage width	mm	1100	1200	1200	1200	1200
P	Maximum width of machine	mm	1175	1280	1280	1400	1280
Q	Carriage tilt total* F/B variable through lift arc	degrees	111*	111*	111*	111*	111*

GENERAL SPECIFICATION

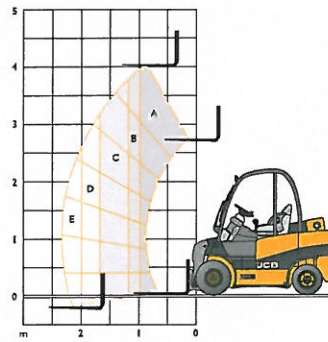
Model		TLT25/25HL	TLT30	TLT30DHL	TLT30D 4X4	TLT35D	TLT35D 4X4
Engine manufacturer		D-Perkins/G-G.M.	D-Perkins/G-G.M.	JCB Diesel by Kohler	D-Perkins/G-G.M.	JCB Diesel by Kohler	JCB Diesel by Kohler
Tier compliant		Tier 3 Stage III	Tier 3 Stage III	Tier 4 Stage IIIB	Tier 3 Stage III	Tier 4 Stage IIIB	Tier 4 Stage IIIB
Engine model		D-404 2.2/G-3.0 L4	D-404 2.2/G-3.0 L4	KDI2504TCR	404 2.2	KDI2504TCR	KDI2504TCR
Engine output (gross power)	kW	D-37/G-43	D-37/G-43	46	37	46	46
Cubic capacity	cm ³	D-2200/G-2966	D-2200/G-2966	2504	2200	2504	2504
Rated	rpm	D-2600/G-2600	D-2600/G-2600	2600	2600	2600	2600
Number of cylinders		D-4/G-4	D-4/G-4	4	4	4	4
Working pressure for attachments	bar	170	170	170	170	170	170
Oil flow for attachments	l/min	28 Std flow/70 Extra flow	28 Std flow/70 Extra flow	28 Std flow/70 Extra flow	28 Std flow/70 Extra flow	28 Std flow/70 Extra flow	28 Std flow/70 Extra flow
Maximum reach ground level (500mm load centre)	mm	2230	2230	3300	2230	2280	2400
Maximum reach boom horizontal (500mm load centre)	mm	2390	2390	3320	2390	2430	2450
Turning radius	mm	2440	2490	2885	2995	2885	3500
Aisle width 90° stacking 800 x 1200/1000 x 1200	mm	3940/4140	4005/4205	4475/4675	4510/4710	4480/4680	5060/5260
Weight unladen	kg	D-4220/G-4280 D-4340/G-4400	D-4900/G-4960	5380	5100	5100	5500
Travel speed (standard)	km/h	20	20	20	20	20	20
Gradeability (laden/unladen)	%	25/21	25/21	25/21	30/28	25/21	25/23
Transmission		TCR	TCR	TCR	TCR	TCR	TCR
Park brake type		Hand	Hand	Hand	Hand	Hand	Hand
Shovel rated capacity	m ³	0.6	0.6	0.6	0.6	0.6	0.6
Shovel struck capacity	m ²	0.5	0.5	0.5	0.5	0.5	0.5
Shovel dump height (30°)	mm	2400	2400	2680	2550	2680	2680
Shovel rollback angle at ground	degrees	37	37	33	37	33	33
Shovel width	mm	1385	1385	1385	1385	1385	1385
Tyres PPS (semi solid), L (pneumatic)		PPS/L	PPS/L	PPS/L	L	PPS/L	L
Tyre size front (standard)		7.00 x 12	27 x 10 x 12	27 x 10 x 12	27 x 10 x 12	27 x 10 x 12	27 x 10 x 12
Tyre size rear (standard)		6.00 x 9	6.50 x 10	2 x 9 x 10	27 x 10 x 12	23 x 9 x 10	27 x 10 x 12
Diesel tank capacity	ltrs	44	44	55	44	55	55

LIFT CAPACITIES – TLT25/TLT25HL



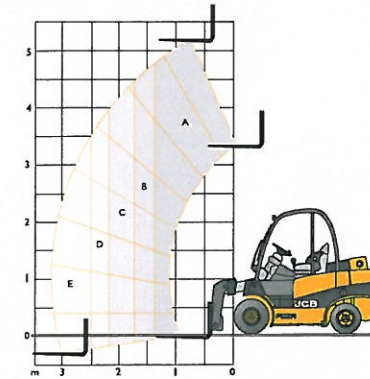
Capacity bands	TLT25	TLT25SHL
A	2500 kg	2500 kg
B	2000 kg	2000 kg
C	1500 kg	1500 kg
D	1275 kg	1275 kg
E	1000 kg	1075 kg
@ 2 metres	1275 kg	1400 kg

LIFT CAPACITIES – TLT30



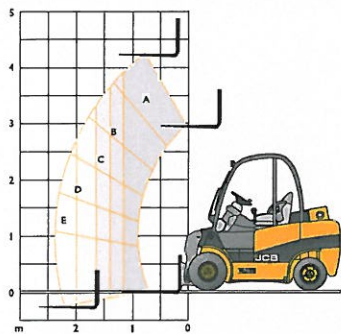
Capacity bands	TLT30
A	3000 kg
B	2500 kg
C	2000 kg
D	1750 kg
E	1500 kg
@ 2 metres	1750 kg

LIFT CAPACITIES – TLT30HL



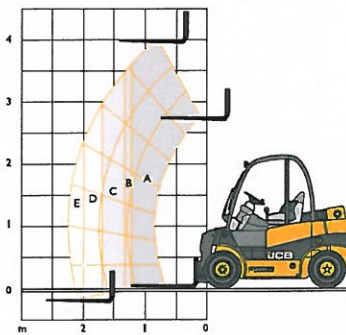
Capacity bands	TLT30HL
A	3000 kg
B	2500 kg
C	2000 kg
D	1750 kg
E	1250 kg
@ 2 metres	2000 kg

LIFT CAPACITIES – TLT35



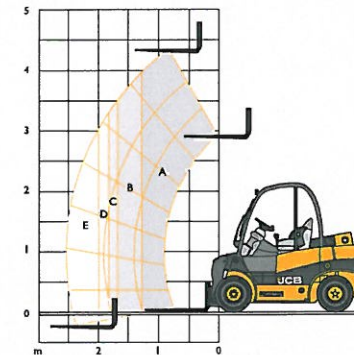
Capacity bands	TLT35
A	3500 kg
B	3000 kg
C	2500 kg
D	2100 kg
E	1700 kg
@ 2 metres	2100 kg

LIFT CAPACITIES – TLT30D 4X4



Capacity bands	TLT30D 4x4
A	3000 kg
B	2750 kg
C	2500 kg
D	2000 kg
E	1500 kg
@ 2 metres	2000 kg

LIFT CAPACITIES – TLT35D 4X4



Capacity bands	TLT35D 4x4
A	3500 kg
B	3000 kg
C	2750 kg
D	2400 kg
E	2000 kg
@ 2 metres	2400 kg